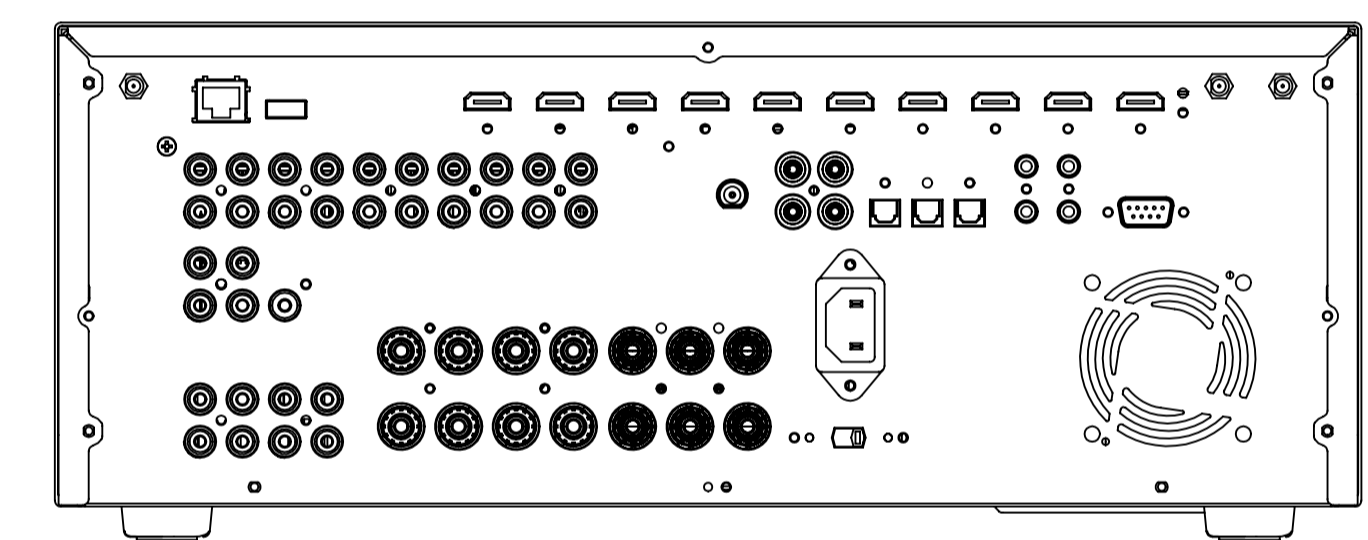
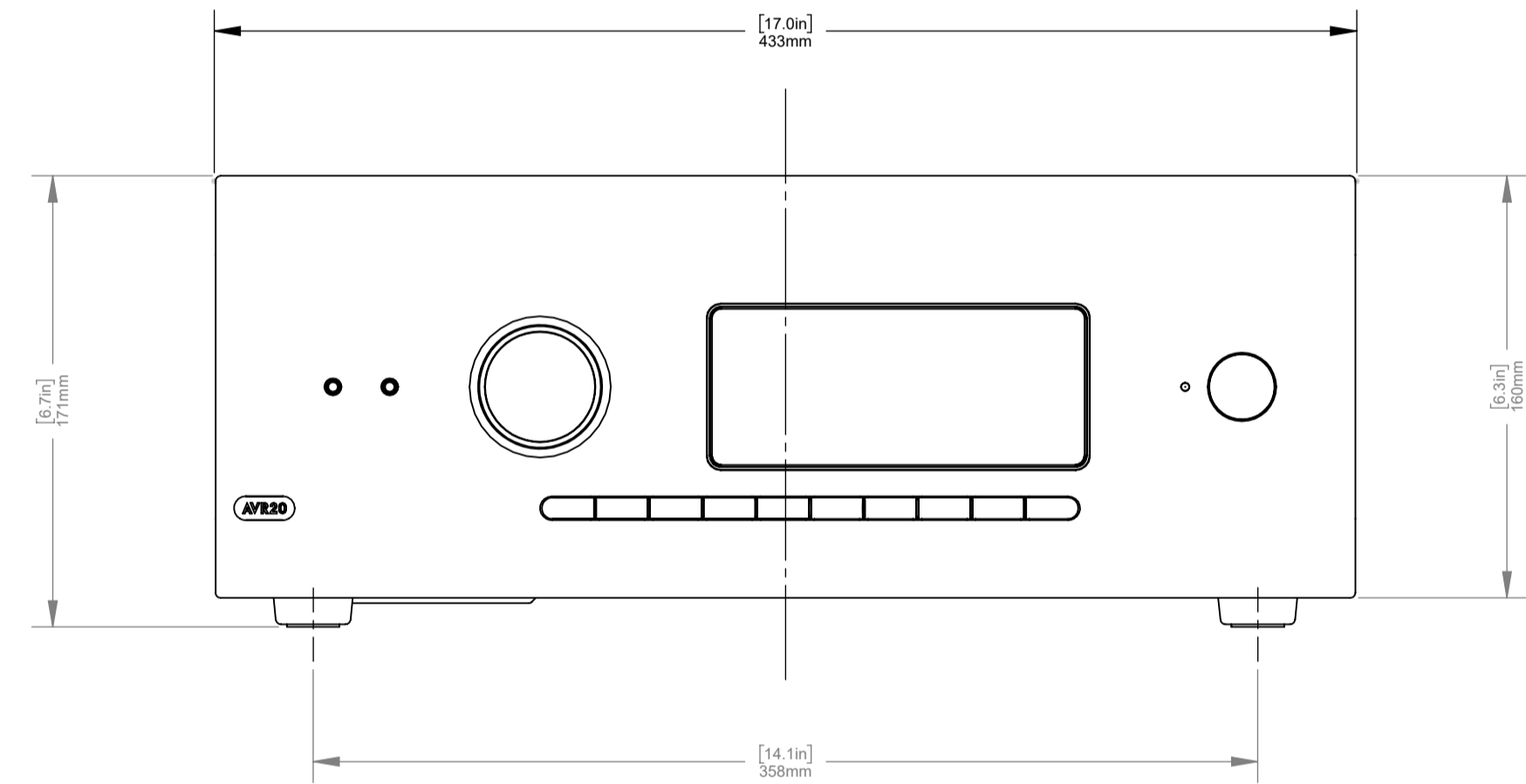
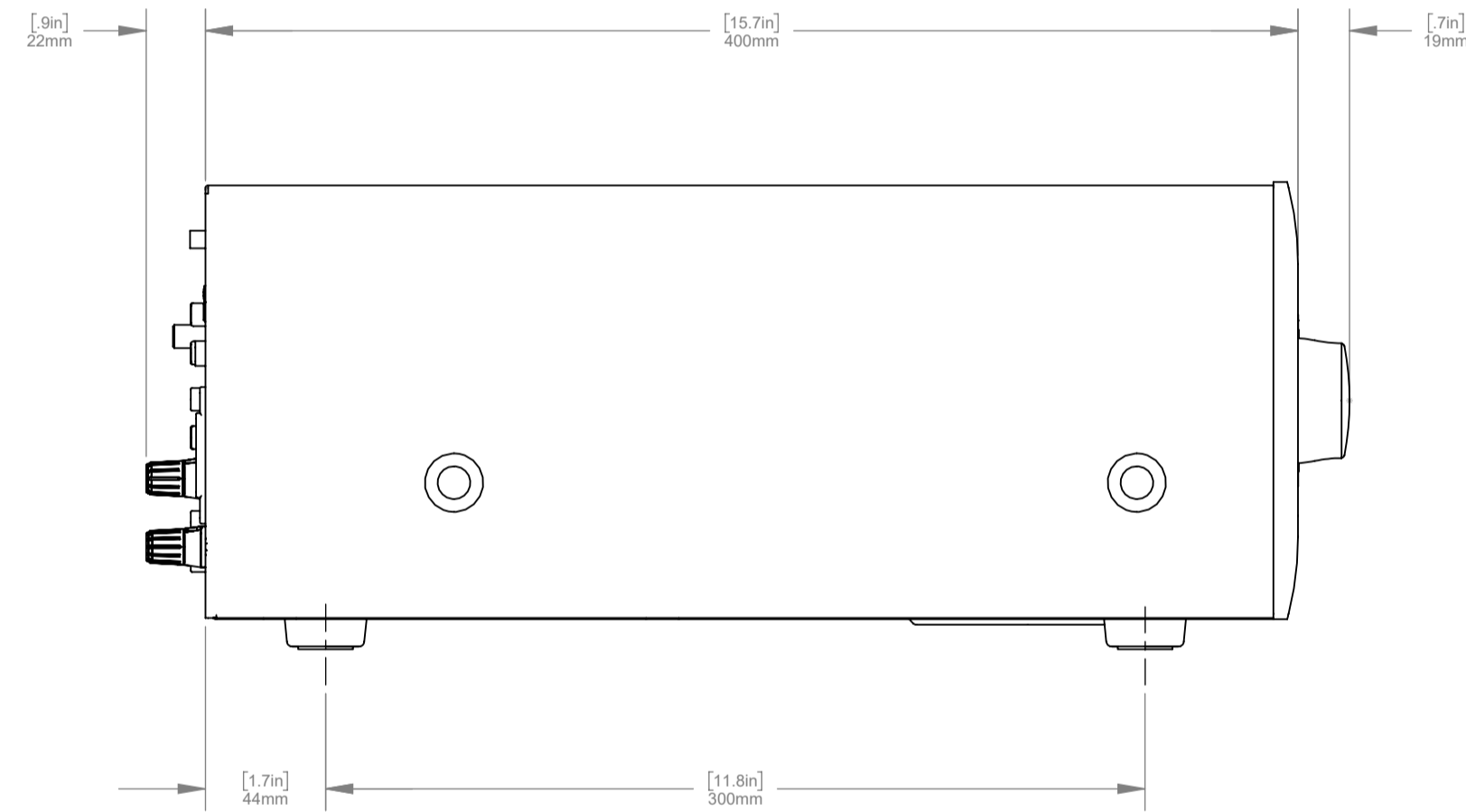
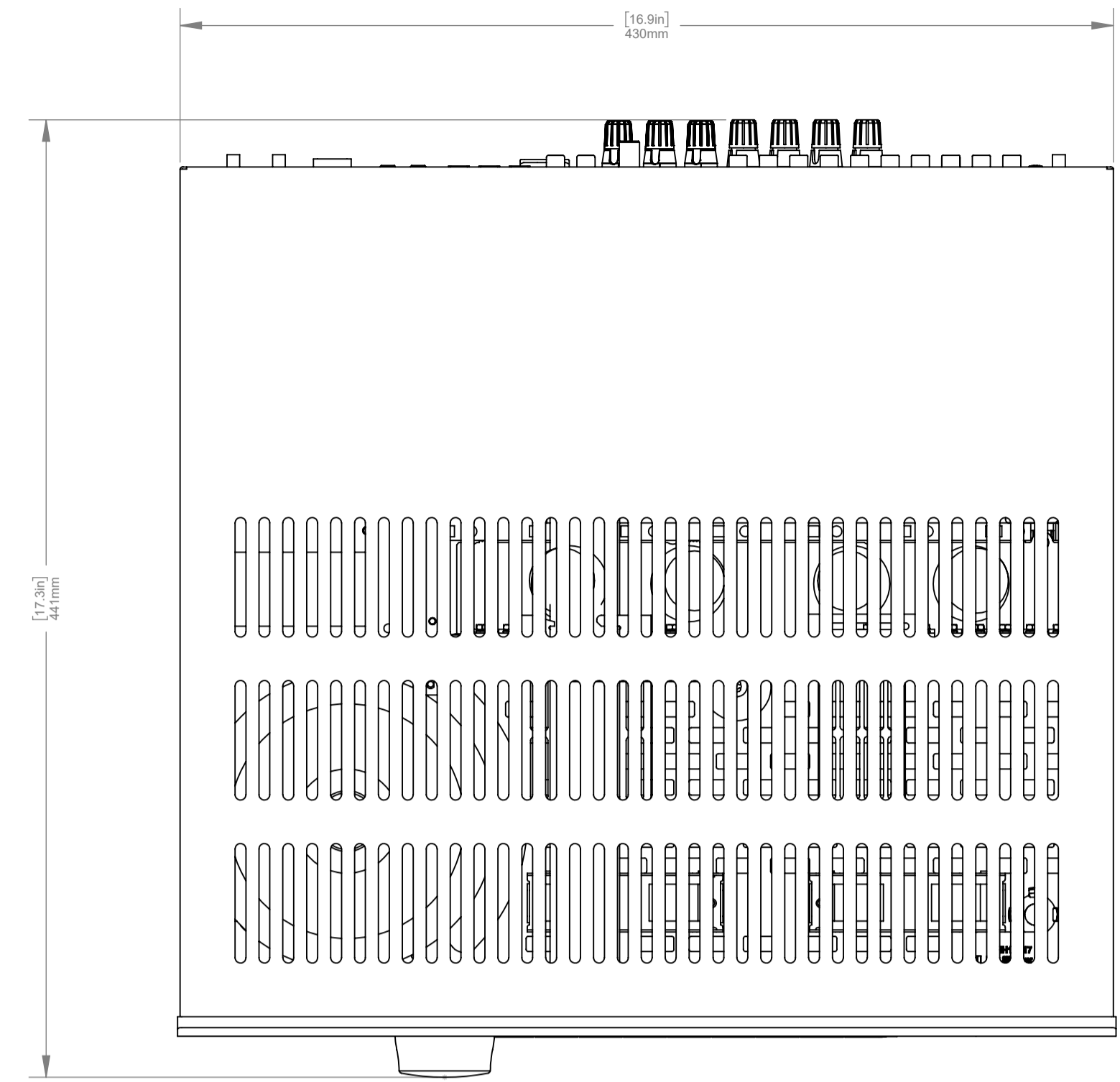
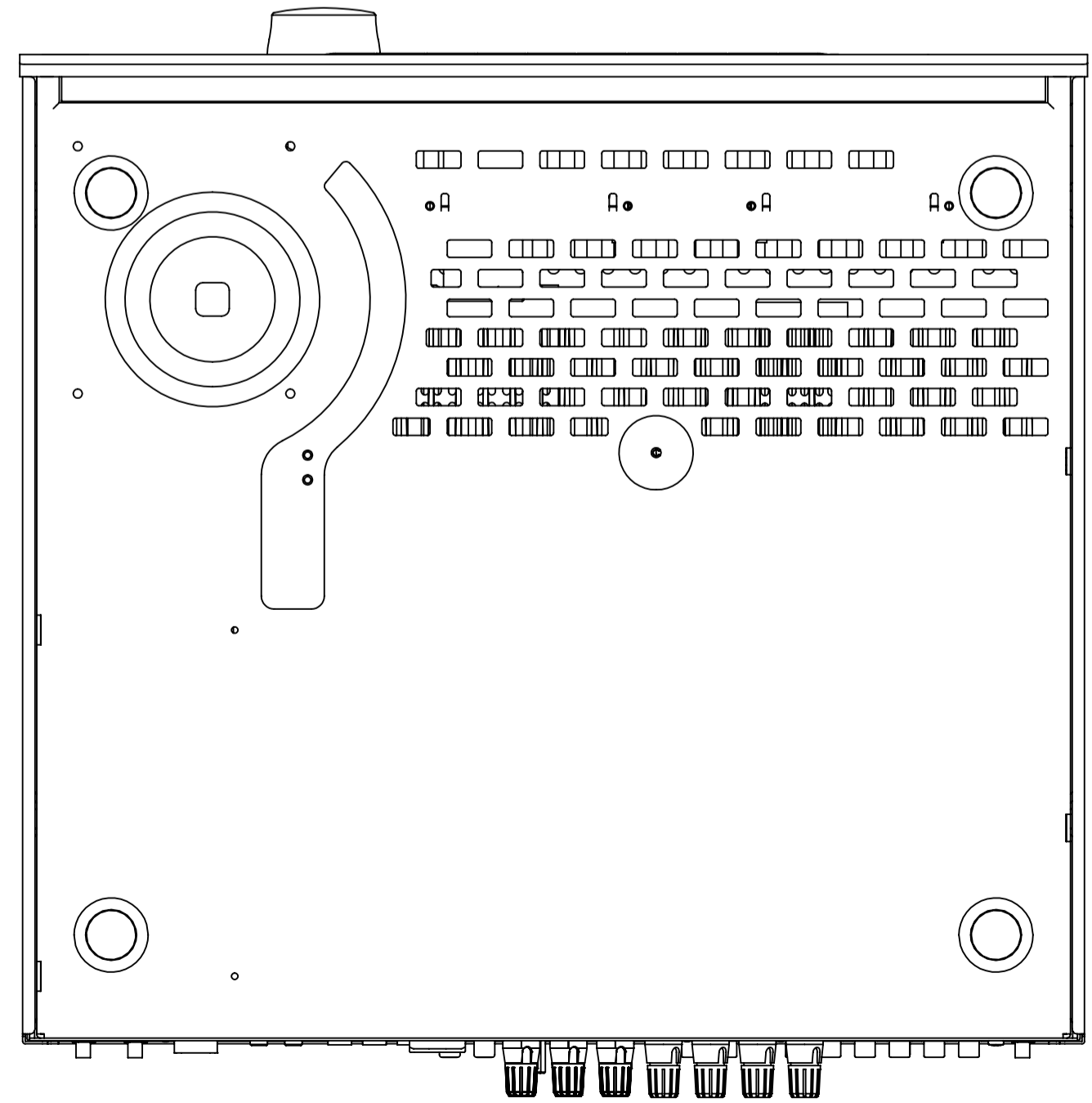


9	10						
ECO NR.	DATE	CHG.	ZONE	DESCRIPTION OF CHANGE	REL.	DR.	CHK.
FIRST ISSUE	28-11-2019	--	--	--	--	MCM	NC
--	--	--	--	--	--	--	--
--	--	--	--	--	--	--	--
--	--	--	--	--	--	--	--
--	--	--	--	--	--	--	--

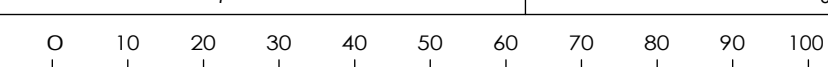


REAR VIEW



NOTE:

ALLOW ADEQUATE CLEARANCE
AROUND THE PRODUCT FOR
VENTILATION & CONNECTION



ARCAM <small>A & R CAMBRIDGE LTD</small> <small>LINEAR TOLERANCE +0.2MM UNLESS OTHERWISE STATED</small> <small>ANGULAR TOLERANCE +1° UNLESS OTHERWISE STATED</small>	<small>DRAWN BY:</small> MCM
	<small>DATE:</small> 28-11-2019
<small>FINISH:</small>	<small>CHECKED BY:</small> NC
<small>PART NUMBER AND DRAWING NUMBER</small> AVR20	<small>ORIGINAL SCALE</small> 1:2.5
<small>DRAWING TITLE</small> AVR20 ASSEMBLY	A1